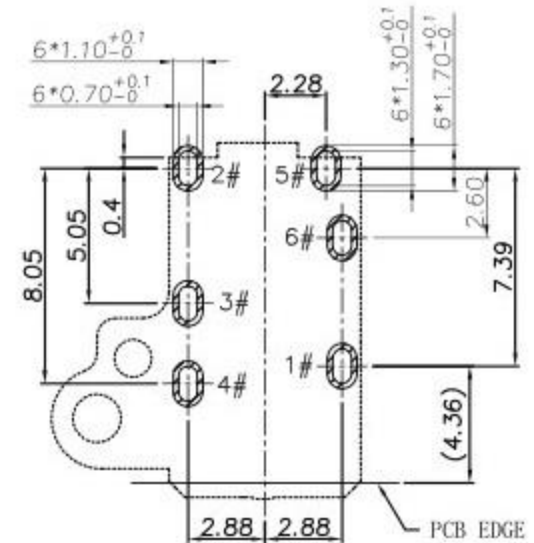


Matching Plug

**SPECIFICATION:**

- Electrical characteristics
  - 1-1. Current rating: DC 1A max.
  - 1-2. Voltage rating: DC 12V.
  - 1-3. Contact resistance: 50mΩ max.
  - 1-4. Insulation resistance: 100MΩ min. at 500V DC.
  - 1-5. Withstanding voltage: 500V AC for 1 minute.
- Mechanical characteristics
  - 2-1. Life test: 5000 cycles min,
  - 2-2. Mating force: 3~30N, Unmating force: 3~30N.



RECOMMENDED P. C. B LAYOUT  
TOP VIEW (TOLRANCE: ±0.05)

NO.	DESCRIPTION	QTY	MATERIAL	REMARK
⑧	Housing	1	HIGH TEMPERATURE PLASTIC	SEE P/N
⑦	Insulator	1	HIGH TEMPERATURE PLASTIC	Black
⑥	Shunt terminal	6	COPPER ALLOY 0.20t	G/F On Contact Gold Flash On Solder Tail Area, Nickel UnderPlated
⑤	Transfer Spring	5	COPPER ALLOY 0.20t	
④	Ring B spring	4	COPPER ALLOY 0.20t	
③	Ring A spring	3	COPPER ALLOY 0.20t	Gold Plating(See P/N) On Contact Gold Flash On Solder Tail Area, Nickel UnderPlated
②	Tip spring	2	COPPER ALLOY 0.20t	
①	Earth spring	1	COPPER ALLOY 0.20t	

ECN NO.	REV	DATE	DESCRIPTION	CHANGE	APPRO.	GENERAL TOLERANCE UNLESS OTHERWISE NOTED	SCALE: 1:1	UNIT:mm	A4	SHEET: 1 of 1
	A-0	2021.07.14	NEW	Simon	余军	Angle ±2° .x ±0.30 .xx ±0.20 .xxx ±0.10	DESIGN	Simon	2021.07.14	
							CHECK			
							APPROVAL			

东莞市高迪电子有限公司

CUSTOMER DRAWING	TITLE:	φ3.5mm PHONE JACK
	MODEL NO.	
	FILE NO.	Q/DY. QW-001A-0XXX